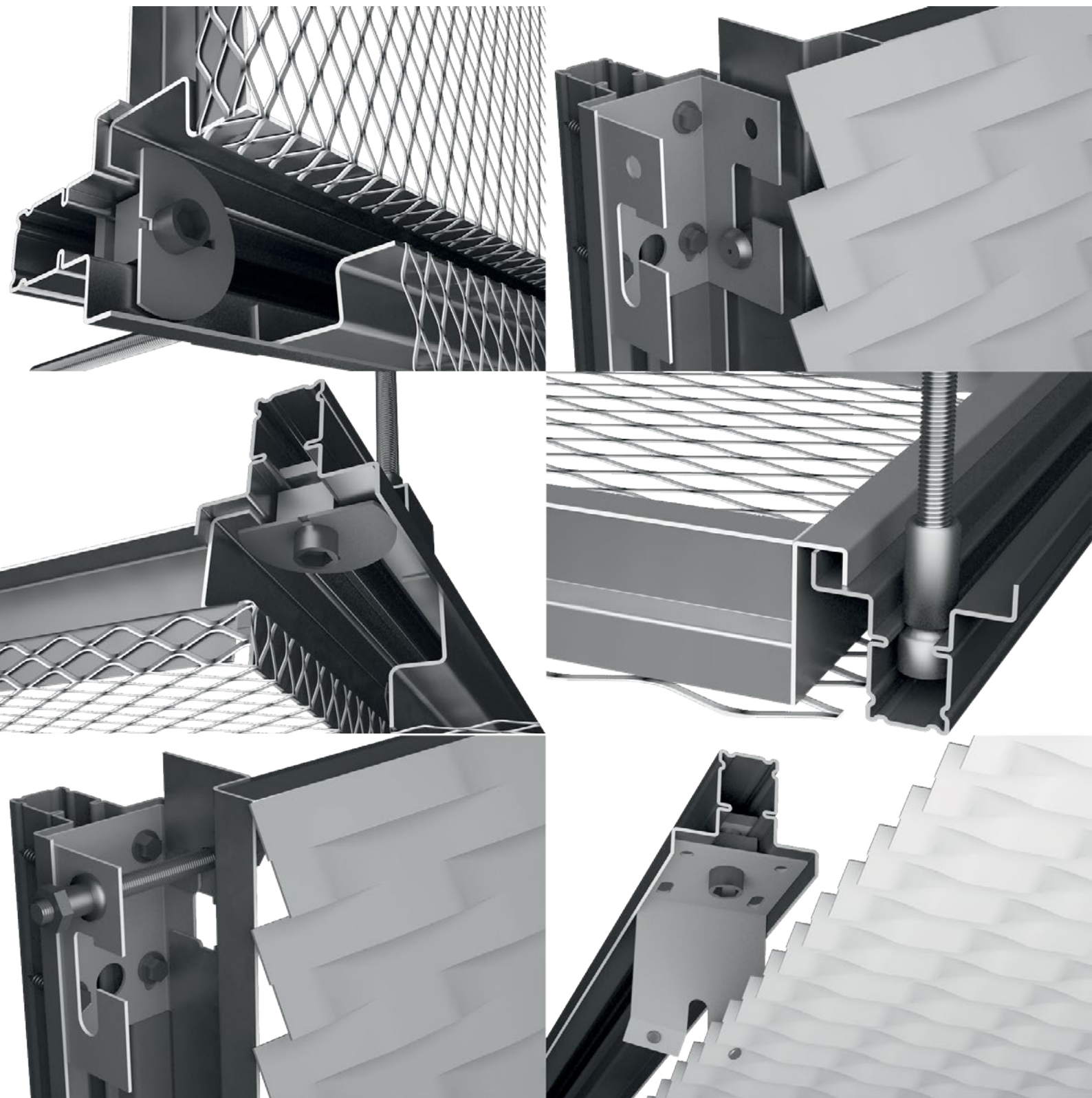


OMNIA

SYSTEM



OMNIA SYSTEM

Designed by architect [Zbigniew Szponar](#). Manufacturing by [TechnotronMetal](#) & [metalDomus](#)

OMNIA SLIDE & LOCK A (SLA)



OMNIA SLIDE & LOCK B (SLB)



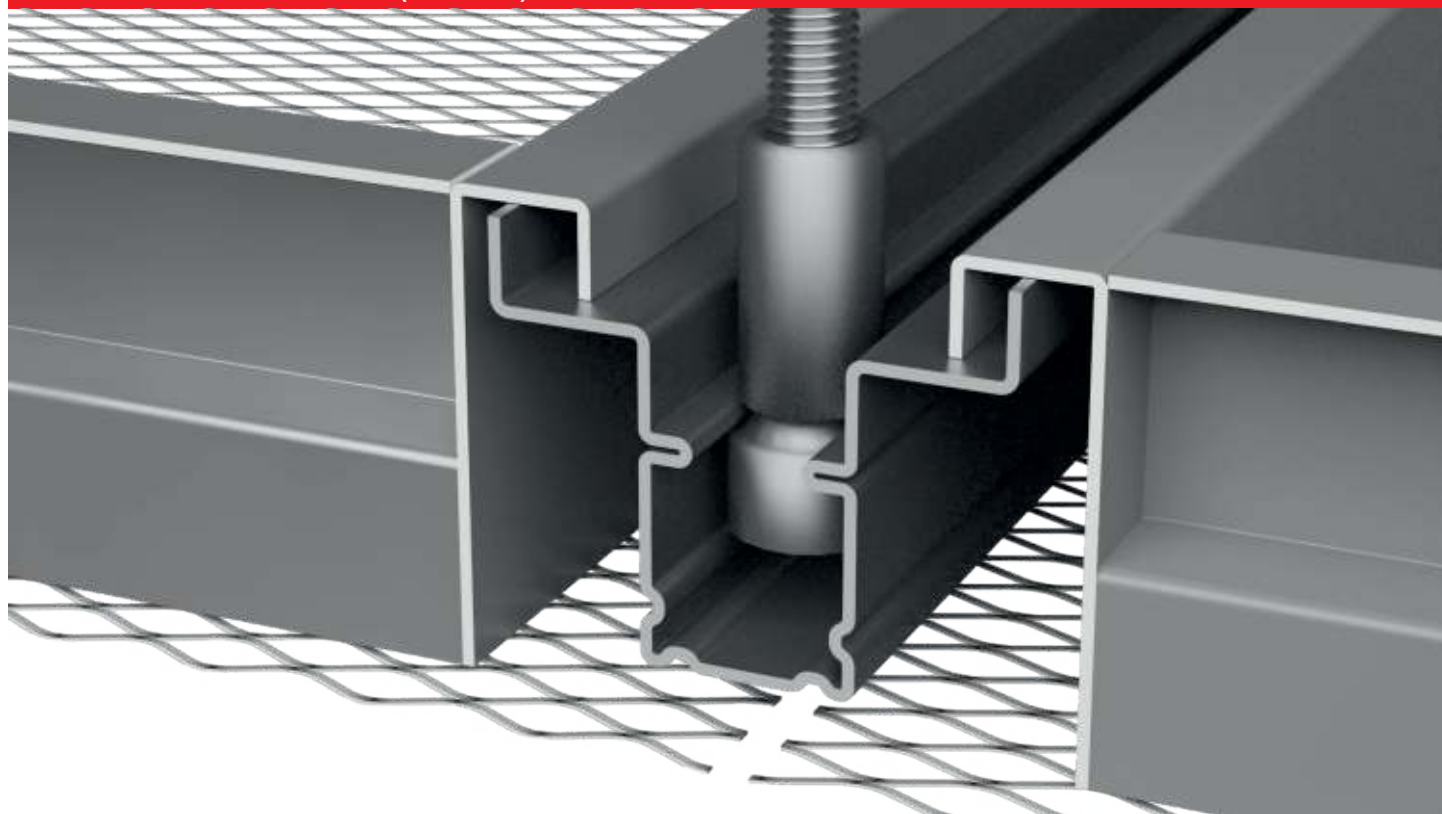
OMNIA SYSTEM

Designed by architect **Zbigniew Szponar**. Manufacturing by **TechnotronMetal & metalDomus**

OMNIA TWIST&LOCK (OTL)



OMNIA HOOK-ON_{LARGE} (OHO-L)



OMNIA HIDDEN (OH)

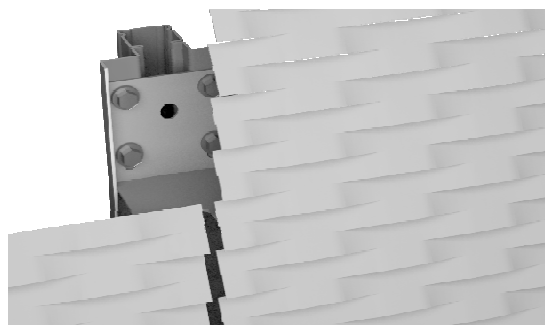
NO FRAME system

Design // architect Zbigniew Szponar. Manufacturing // metalDomus&Technotron metal

FACADE SOLUTION

		PARTS	MATERIAL/SIZE	PRICE ON REQUEST
1.		GRID INDIRECT ODNP	1,0 mm x H-35 mm x 43 mm GALVANIZED STEEL L- 6 000,0 mm GALVANIZED STEEL L - 1 000,0mm PAINTED RAL L-1 000,0 mm	
2.		GRID EDGE ODNB	1,0 mm x H-35 mm x 43 mm GALVANIZED STEEL L- 6 000,0 mm GALVANIZED STEEL L-1 000,0 mm PAINTED RAL L-1 000,0 mm	
3.				
4.		ROD OPM	fi 8 mm fi 10 mm fi 12 mm	GALVANIZED STEEL L-0 650mm GALVANIZED STEEL L-0 650mm GALVANIZED STEEL L-0 650mm
5.		DOWEL OKRM		OKRM M8 OKRM M10 OKRM M12
6.				
7.		HOOK WSH		INOX STEEL 1,5 mm PAINTED RAL
8.		INSTALLATION SCREW OSM		M- 6 IMBUS x 18 mm GALVANIZED OR BLACK
9.				
10.		MESH TRANSFORMATION IN OMNIA PANEL 1 000,0 mm x 1 000,0 mm		1 000,0 x 1 000,0 mm
11.		POWDER COATING METAL PANEL WITH METAL MESH 1 000,0 mm x 1 000,0 mm		RANDOM RAL COLOR GALVANIZED GALVANIZED ANODIZING COLOUR GALVANIZED ANODIZING

EXAMPLE PRICE FOR THE WHOLE SYSTEM WITH INSTALLATION, WITHOUT MESH



WITHOUT COATING	€/m2	on request
RANDOM RAL COLOR	€/m2	on request
GALVANIZED	€/m2	on request
GALVANIZED ANODIZING	€/m2	on request
COLOUR GALVANIZED ANODIZING	€/m2	on request
INSTALLATION	€/m2	on request

INDIVIDUAL VALUATION FOR BASIC AND ADVANCED DESIGN

INDIVIDUAL VALUATION FOR PACKING AND SHIPPING

PRICES EX WORKS, DO NOT INCLUDE TAXES

OMNIA SYSTEM

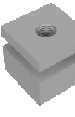
Designed by architect Zbigniew Szponar. Manufacturing by TechnotronMetal & metalDomus

OMNIA HIDDEN (OH)

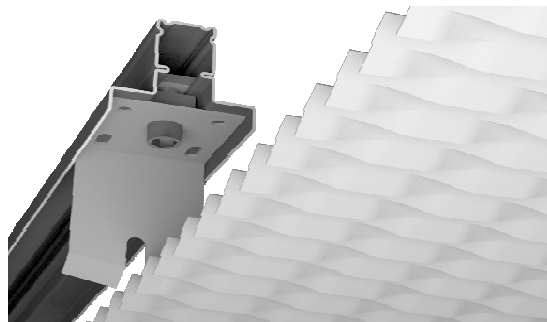
NO FRAME system

Design // architect Zbigniew Szponar. Manufacturing // metalDomus&Technotron metal

CEILING SOLUTION

	PARTS	MATERIAL/SIZE	PRICE ON REQUEST
1.	 GRID INDIRECT ODNP	1,0 mm x H-35 mm x 43 mm GALVANIZED STEEL L- 6 000,0 mm GALVANIZED STEEL L - 1 000,0mm PAINTED RAL L-1 000,0 mm	
2.	 GRID EDGE ODNB	1,0 mm x H-35 mm x 43 mm GALVANIZED STEEL L- 6 000,0 mm GALVANIZED STEEL L-1 000,0 mm PAINTED RAL L-1 000,0 mm	
3.	 GRID HANGER FOR A THREADED ROD fi6 OZD	INOX STEEL gr. 1,0 mm PAINTED RAL	
4.	 ROD fi 6 mm OPM	GALVANIZED STEEL L-2 000mm GALVANIZED STEEL L-1 000mm GALVANIZED STEEL L-0 600mm PAINTED RAL L-0 600 mm	
5.	 DOWEL OKRM	OKRM M6 OKRM M8 OKRM M10 OKRM M12	
6.	 CUBE OKM	GALVANIZED STEEL 15 x 15 x 15 mm	
7.	 HOOK WSH	INOX STEEL 1,5 mm PAINTED RAL	
8.	 INSTALLATION SCREW OSM	M- 6 IMBUS x 18 mm GALVANIZED OR BLACK	
9.			
10.	 MESH TRANSFORMATION IN OMNIA PANEL 1 000,0 mm x 1 000,0 mm	1 000,0 x 1 000,0 mm	
11.	 POWDER COATING METAL PANEL WITH METAL MESH 1 000,0 mm x 1 000,0 mm	RANDOM RAL COLOR GALVANIZED GALVANIZED ANODIZING COLOUR GALVANIZED ANODIZING	

EXAMPLE PRICE FOR THE WHOLE SYSTEM WITH INSTALLATION, WITHOUT MESH



WITHOUT COATING	€/m2	on request
RANDOM RAL COLOR	€/m2	on request
GALVANIZED	€/m2	on request
GALVANIZED ANODIZING	€/m2	on request
COLOUR GALVANIZED ANODIZING	€/m2	on request
INSTALLATION	€/m2	on request

INDIVIDUAL VALUATION FOR BASIC AND ADVANCED DESIGN

INDIVIDUAL VALUATION FOR PACKING AND SHIPPING

PRICES EX WORKS, DO NOT INCLUDE TAXES

OMNIA SYSTEM

Designed by architect Zbigniew Szponar. Manufacturing by TechnotronMetal & metalDomus

OMNIA RIVET (OR)

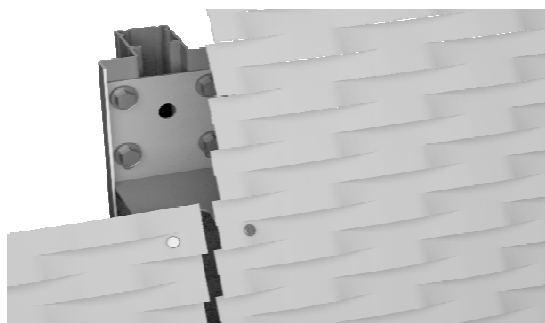
NO FRAME system

Design // architect Zbigniew Szponar. Manufacturing // metalDomus&Technotron metal

FACADE SOLUTION

		PARTS	MATERIAL/SIZE	PRICE ON REQUEST
1.		GRID INDIRECT ODNP	1,0 mm x H-35 mm x 43 mm GALVANIZED STEEL L- 6 000,0 mm GALVANIZED STEEL L - 1 000,0mm PAINTED RAL L-1 000,0 mm	
2.		GRID EDGE ODNB	1,0 mm x H-35 mm x 43 mm GALVANIZED STEEL L- 6 000,0 mm GALVANIZED STEEL L-1 000,0 mm PAINTED RAL L-1 000,0 mm	
3.				
4.		ROD OPM	fi 8 mm fi 10 mm fi 12 mm	GALVANIZED STEEL L-0 650mm GALVANIZED STEEL L-0 650mm GALVANIZED STEEL L-0 650mm
5.		DOWEL OKRM		OKRM M6 OKRM M8 OKRM M10 OKRM M12
6.				
7.		HOOK WSR		INOX STEEL 1,5 mm PAINTED RAL
8.		INSTALLATION SCREW		M- 6 IMBUS x 18 mm GALVANIZED OR BLACK
9.				
10.		MESH TRANSFORMATION IN OMNIA PANEL 1 000,0 mm x 1 000,0 mm		1 000,0 x 1 000,0 mm
11.		POWDER COATING METAL PANEL WITH METAL MESH 1 000,0 mm x 1 000,0 mm		RANDOM RAL COLOR GALVANIZED GALVANIZED ANODIZING COLOUR GALVANIZED ANODIZING

EXAMPLE PRICE FOR THE WHOLE SYSTEM WITH INSTALLATION, WITHOUT MESH



WITHOUT COATING	€/m2	on request
RANDOM RAL COLOR	€/m2	on request
GALVANIZED	€/m2	on request
GALVANIZED ANODIZING	€/m2	on request
COLOUR GALVANIZED ANODIZING	€/m2	on request
INSTALLATION	€/m2	on request

INDIVIDUAL VALUATION FOR BASIC AND ADVANCED DESIGN

INDIVIDUAL VALUATION FOR PACKING AND SHIPPING

PRICES EX WORKS, DO NOT INCLUDE TAXES

OMNIA SYSTEM

Designed by architect Zbigniew Szponar. Manufacturing by TechnotronMetal & metalDomus

OMNIA RIVET (OR)

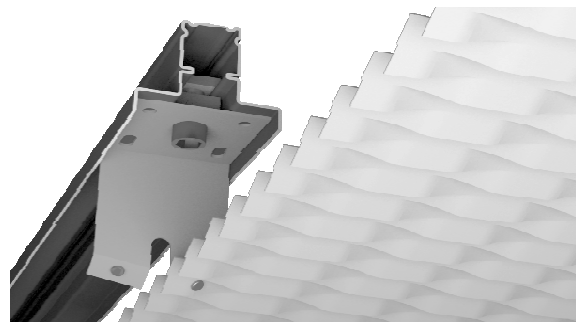
NO FRAME system

Design // architect Zbigniew Szponar. Manufacturing // metalDomus&Technotron metal

CEILING SOLUTION

	PARTS	MATERIAL/SIZE	PRICE ON REQUEST
1.	 GRID INDIRECT ODNP	1,0 mm x H-35 mm x 43 mm GALVANIZED STEEL L- 6 000,0 mm GALVANIZED STEEL L - 1 000,0mm PAINTED RAL L-1 000,0 mm	
2.	 GRID EDGE ODNB	1,0 mm x H-35 mm x 43 mm GALVANIZED STEEL L- 6 000,0 mm GALVANIZED STEEL L-1 000,0 mm PAINTED RAL L-1 000,0 mm	
3.	 GRID HANGER FOR A THREADED ROD fi6 OZD	INOX STEEL gr. 1,0 mm PAINTED RAL	
4.	 ROD fi 6 mm OPM	GALVANIZED STEEL L-2 000mm GALVANIZED STEEL L-1 000mm GALVANIZED STEEL L-0 600mm PAINTED RAL L-0 600 mm	
5.	 DOWEL OKRM	OKRM M6 OKRM M8 OKRM M10 OKRM M12	
6.	 CUBE OKM	GALVANIZED STEEL 15 x 15 x 15 mm	
7.	 HOOK WSR	INOX STEEL 1,5 mm PAINTED RAL	
8.	 INSTALLATION SCREW OSM	M- 6 IMBUS x 18 mm GALVANIZED OR BLACK	
9.			
10.	 MESH TRANSFORMATION IN OMNIA PANEL 1 000,0 mm x 1 000,0 mm	1 000,0 x 1 000,0 mm	
11.	 POWDER COATING METAL PANEL WITH METAL MESH 1 000,0 mm x 1 000,0 mm	RANDOM RAL COLOR GALVANIZED GALVANIZED ANODIZING COLOUR GALVANIZED ANODIZING	

EXAMPLE PRICE FOR THE WHOLE SYSTEM WITH INSTALLATION, WITHOUT MESH



WITHOUT COATING	€/m2	on request
RANDOM RAL COLOR	€/m2	on request
GALVANIZED	€/m2	on request
GALVANIZED ANODIZING	€/m2	on request
COLOUR GALVANIZED ANODIZING	€/m2	on request
INSTALLATION	€/m2	on request

INDIVIDUAL VALUATION FOR BASIC AND ADVANCED DESIGN

INDIVIDUAL VALUATION FOR PACKING AND SHIPPING

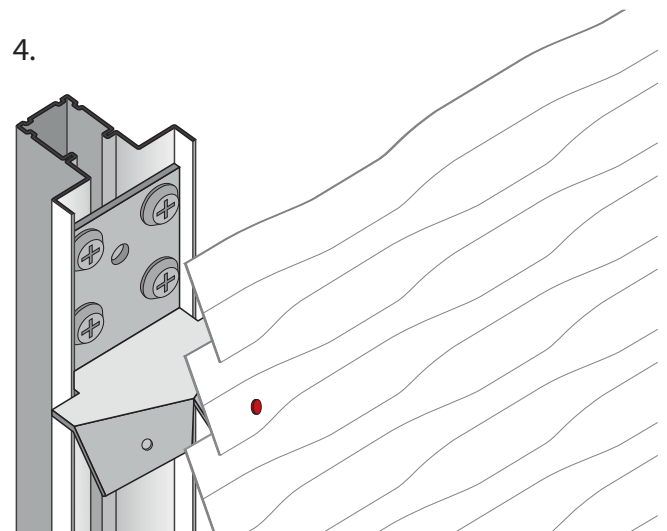
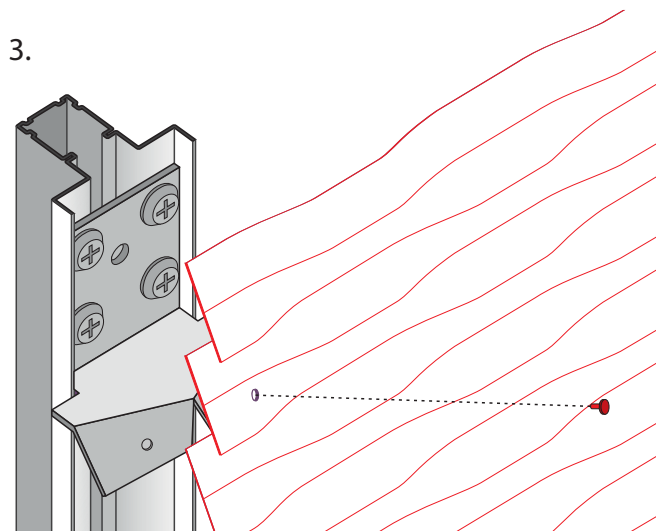
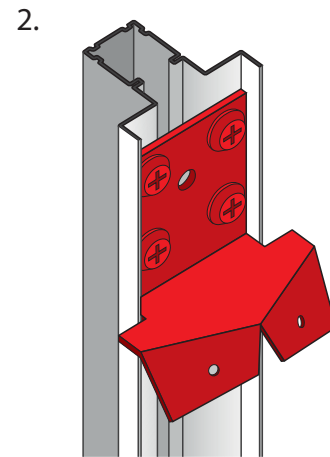
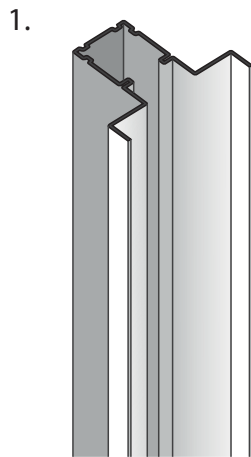
PRICES EX WORKS, DO NOT INCLUDE TAXES

OMNIA SYSTEM

Designed by architect Zbigniew Szponar. Manufacturing by TechnotronMetal & metalDomus

OMNIA RIVET-ON (R)

FACADE SOLUTION FOR EXPANDED METAL AND PANEL



Omnia R system is innovative facade solution designed specifically for expanded metal mesh with wide bridge. Every part of the system is designed to provide the highest flexibility and easy installation. Installation starts with Omnia grider (1.) Then the WS hook is installed (2.). The banding angle of „wings” is modified for specific expanded metal mesh (3.) which is installed directly to the substructure by riveting (4.).

The most important difference between Omnia R and any other system is full recurrence of panels and other parts of the system what makes it installation a lot easier and faster.

OMNIA SYSTEM

Designed by architect **Zbigniew Szponar**. Manufacturing by **TechnotronMetal & metalDomus**

OMNIA SLIDE & LOCK B (SLB)

FRAME system

Design // architect Zbigniew Szponar. Manufacturing // metalDomus&Technotron metal

FAÇADE SOLUTION

		PARTS	MATERIAL/SIZE	PRICE ON REQUEST
1.		GRID INDIRECT ODNP	1,0 mm x H-35 mm x 43 mm GALVANIZED STEEL L- 6 000,0 mm GALVANIZED STEEL L - 1 000,0mm PAINTED RAL L-1 000,0 mm	
2.		GRID EDGE ODNB	1,0 mm x H-35 mm x 43 mm GALVANIZED STEEL L- 6 000,0 mm GALVANIZED STEEL L-1 000,0 mm PAINTED RAL L-1 000,0 mm	
3.				
4.		ROD OPM	fi 8 mm fi 10 mm fi 12 mm	GALVANIZED STEEL L-0 650mm GALVANIZED STEEL L-0 650mm GALVANIZED STEEL L-0 650mm
5.		DOWEL OKRM		OKRM M8 OKRM M10 OKRM M12
6.				
7.		HOOK WHB		INOX STEEL 1,5 mm PAINTED RAL
8.		INSTALLATION SCREW OSM		M- 6 IMBUS x 18 mm GALVANIZED OR BLACK
9.		PANEL FRAME		1 000,0 x 1 000,0 mm 1,5 mm H- 38 mm GALVANIZED STEEL ALUMINIUM
10.		MESH TRANSFORMATION IN OMNIA PANEL		1 000,0 mm x 1 000,0 mm 1 000,0 mm x 1 000,0 mm
11.		POWDER COATING METAL PANEL WITH METAL MESH		1 000,0 mm x 1 000,0 mm RANDOM RAL COLOR GALVANIZED GALVANIZED ANODIZING COLOUR GALVANIZED ANODIZING

EXAMPLE PRICE FOR THE WHOLE SYSTEM WITH INSTALLATION, WITHOUT MESH



WITHOUT COATING	€/m2	on request
RANDOM RAL COLOR	€/m2	on request
GALVANIZED	€/m2	on request
GALVANIZED ANODIZING	€/m2	on request
COLOUR GALVANIZED ANODIZING	€/m2	on request
INSTALLATION	€/m2	on request

INDIVIDUAL VALUATION FOR BASIC AND ADVANCED DESIGN

INDIVIDUAL VALUATION FOR PACKING AND SHIPPING

PRICES EX WORKS, DO NOT INCLUDE TAXES

OMNIA SYSTEM

Designed by architect Zbigniew Szponar. Manufacturing by TechnotronMetal & metalDomus

OMNIA SLIDE & LOCK A (SLA)

FRAME system

Design // architect Zbigniew Szponar. Manufacturing // metalDomus&Technotron metal

CEILING SOLUTION

	PARTS	MATERIAL/SIZE	PRICE ON REQUEST
1.	 GRID INDIRECT ODNP	1,0 mm x H-35 mm x 43 mm GALVANIZED STEEL L- 6 000,0 mm GALVANIZED STEEL L - 1 000,0mm PAINTED RAL L-1 000,0 mm	
2.	 GRID EDGE ODNB	1,0 mm x H-35 mm x 43 mm GALVANIZED STEEL L- 6 000,0 mm GALVANIZED STEEL L-1 000,0 mm PAINTED RAL L-1 000,0 mm	
3.	 GRID HANGER FOR A THREADED ROD fi6 OZD	INOX STEEL gr. 1,0 mm PAINTED RAL	
4.	 ROD fi 6 mm OPM	GALVANIZED STEEL L-2 000mm GALVANIZED STEEL L-1 000mm GALVANIZED STEEL L-0 600mm PAINTED RAL L-0 600 mm	
5.	 DOWEL OKRM	OKRM M6 OKRM M8 OKRM M10 OKRM M12	
6.	 CUBE OKM	GALVANIZED STEEL 15 x 15 x 15 mm	
7.	 HOOK WHA	INOX STEEL 1,5 mm PAINTED RAL	
8.	 INSTALLATION SCREW OSM	M- 6 IMBUS x 18 mm GALVANIZED OR BLACK	
9.	 PANEL FRAME	1 000,0 x 1 000,0 mm 1,5 mm H- 38 mm GALVANIZED STEEL ALUMINIUM	
10.	 MESH TRANSFORMATION IN OMNIA PANEL 1 000,0 mm x 1 000,0 mm	1 000,0 x 1 000,0 mm	
11.	 POWDER COATING METAL PANEL WITH METAL MESH 1 000,0 mm x 1 000,0 mm	RANDOM RAL COLOR GALVANIZED GALVANIZED ANODIZING COLOUR GALVANIZED ANODIZING	

EXAMPLE PRICE FOR THE WHOLE SYSTEM WITH INSTALLATION, WITHOUT MESH



WITHOUT COATING	€/m2	on request
RANDOM RAL COLOR	€/m2	on request
GALVANIZED	€/m2	on request
GALVANIZED ANODIZING	€/m2	on request
COLOUR GALVANIZED ANODIZING	€/m2	on request
INSTALLATION	€/m2	on request

INDIVIDUAL VALUATION FOR BASIC AND ADVANCED DESIGN

INDIVIDUAL VALUATION FOR PACKING AND SHIPPING

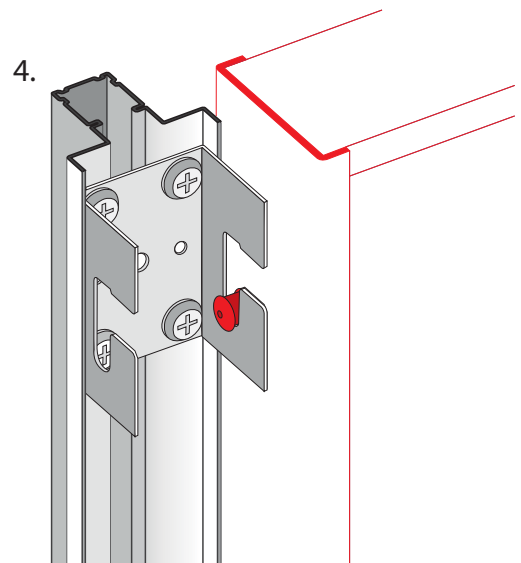
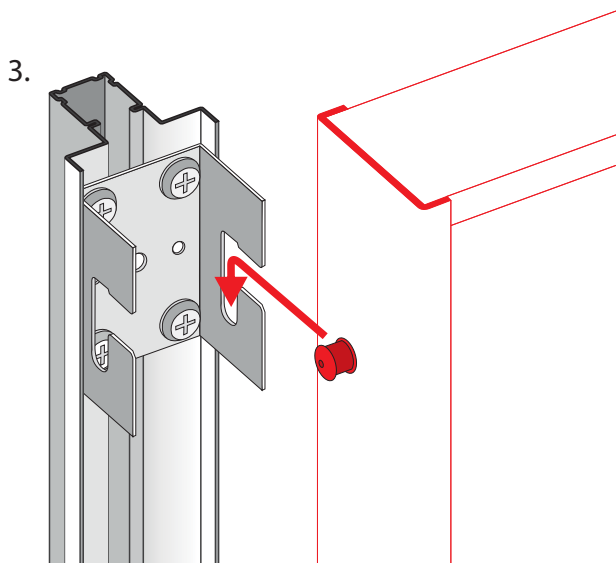
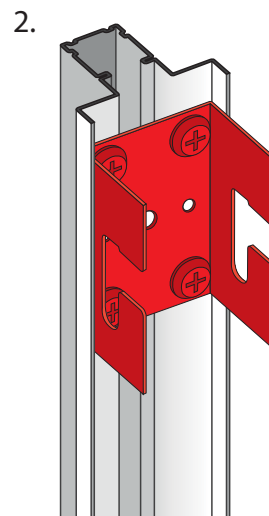
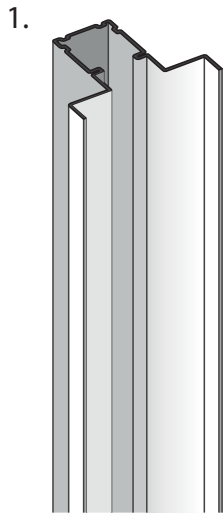
PRICES EX WORKS, DO NOT INCLUDE TAXES

OMNIA SYSTEM

Designed by architect Zbigniew Szponar. Manufacturing by TechnotronMetal & metalDomus

OMNIA SLIDE & LOCK (SL)

FACADE SOLUTION FOR EXPANDED METAL AND PANEL



Omnia SL system is innovative facade solution designed specifically for expanded metal facades, but it can also be used for perforated and other panel facades. Every part of the system is designed to provide the highest flexibility and easy installation. Installation starts with the Omnia grider (1.) Then the WH hook is installed (2.). Metal panels are installed on it by composite rivet (3. & 4.).

The most important difference between Omnia SL and any other system is full recurrence of panels and other parts of the system what makes it installation a lot easier and faster.

OMNIA SYSTEM

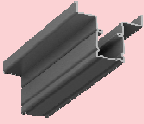
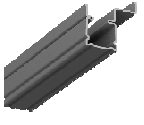



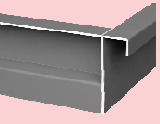
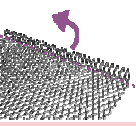

Designed by architect **Zbigniew Szponar**. Manufacturing by **TechnotronMetal & metalDomus**

OMNIA HOOK-ON LARG (OHO-L)

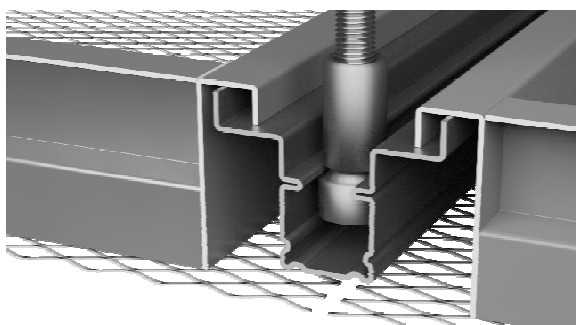
FRAME system

Design // architect Zbigniew Szponar. Manufacturing // metalDomus&Technotron metal

CEILING SOLUTION

	PARTS	MATERIAL/SIZE	PRICE ON REQUEST
1.	 GRID INDIRECT ODNP	1,0 mm x H-35 mm x 43 mm GALVANIZED STEEL L- 6 000,0 mm GALVANIZED STEEL L - 1 000,0mm PAINTED RAL L-1 000,0 mm	
2.	 GRID EDGE ODNB	1,0 mm x H-35 mm x 43 mm GALVANIZED STEEL L- 6 000,0 mm GALVANIZED STEEL L-1 000,0 mm PAINTED RAL L-1 000,0 mm	
3.	 GRID HANGER FOR A THREADED ROD fi6 OZD	INOX STEEL PAINTED RAL	
4.	 ROD fi 6 mm OPM	GALVANIZED STEEL L-2 000mm GALVANIZED STEEL L-1 000mm GALVANIZED STEEL L-0 600mm PAINTED RAL L-0 600 mm	
5.	 DOWEL OKRM	OKRM M6 OKRM M8 OKRM M10 OKRM M12	
6.			
7.			
8.			
9.	 PANEL FRAME 1 000,0 mm x 1 000,0 mm	1 000,0 x 1 000,0 mm 1,5 mm H- 38 mm GALVANIZED STEEL ALUMINIUM	
10.	 MESH TRANSFORMATION IN OMNIA PANEL 1 000,0 mm x 1 000,0 mm	1 000,0 x 1 000,0 mm	
11.	 POWDER COATING METAL PANEL WITH METAL MESH 1 000,0 mm x 1 000,0 mm	RANDOM RAL COLOR GALVANIZED GALVANIZED ANODIZING COLOUR GALVANIZED ANODIZING	

EXAMPLE PRICE FOR THE WHOLE SYSTEM WITH INSTALLATION, WITHOUT MESH



WITHOUT COATING	€/m2	on request
RANDOM RAL COLOR	€/m2	on request
GALVANIZED	€/m2	on request
GALVANIZED ANODIZING	€/m2	on request
COLOUR GALVANIZED ANODIZING	€/m2	on request
INSTALLATION	€/m2	on request

INDIVIDUAL VALUATION FOR BASIC AND ADVANCED DESIGN

INDIVIDUAL VALUATION FOR PACKING AND SHIPPING

PRICES EX WORKS, DO NOT INCLUDE TAXES

OMNIA SYSTEM

Designed by architect Zbigniew Szponar. Manufacturing by TechnotronMetal & metalDomus

OMNIA TWIST&LOCK (OTL)

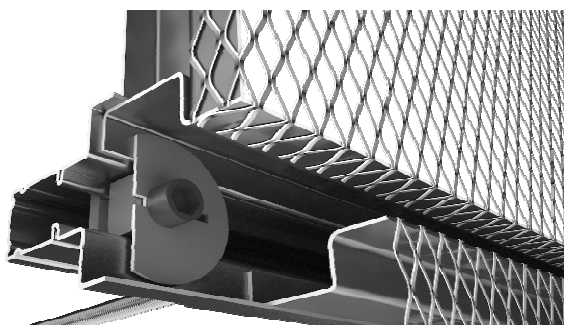
FRAME system

Design // architect Zbigniew Szponar. Manufacturing // metalDomus&Technotron metal

FACADE SOLUTION

	PARTS		MATERIAL/SIZE	PRICE ON REQUEST
1.		GRID INDIRECT ODNP	1,0 mm x H-35 mm x 43 mm GALVANIZED STEEL L- 6 000,0 mm GALVANIZED STEEL L - 1 000,0mm PAINTED RAL L-1 000,0 mm	
2.		GRID EDGE ODNB	1,0 mm x H-35 mm x 43 mm GALVANIZED STEEL L- 6 000,0 mm GALVANIZED STEEL L-1 000,0 mm PAINTED RAL L-1 000,0 mm	
3.				
4.		ROD OPM	fi 8 mm fi 10 mm fi 12 mm	GALVANIZED STEEL L-0 650mm GALVANIZED STEEL L-0 650mm GALVANIZED STEEL L-0 650mm
5.		DOWEL OKRM		OKRM M6 OKRM M8 OKRM M10 OKRM M12
6.		CUBE OKM		GALVANIZED STEEL 15 x 15 x 15 mm
7.		CLAMP OZM		INOX STEEL 1,5 mm PAINTED RAL
8.		INSTALLATION SCREW OSM		M- 6 IMBUS x 18 mm GALVANIZED OR BLACK
9.		PANEL FRAME		1 000,0 x 1 000,0 mm 1,5 mm H- 38 mm GALVANIZED STEEL ALUMINIUM
10.		MESH TRANSFORMATION IN OMNIA PANEL		1 000,0 x 1 000,0 mm 1 000,0 mm x 1 000,0 mm
11.		POWDER COATING METAL PANEL WITH METAL MESH		1 000,0 mm x 1 000,0 mm RANDOM RAL COLOR GALVANIZED GALVANIZED ANODIZING COLOUR GALVANIZED ANODIZING

EXAMPLE PRICE FOR THE WHOLE SYSTEM WITH INSTALLATION, WITHOUT MESH



WITHOUT COATING	€/m2	on request
RANDOM RAL COLOR	€/m2	on request
GALVANIZED	€/m2	on request
GALVANIZED ANODIZING	€/m2	on request
COLOUR GALVANIZED ANODIZING	€/m2	on request
INSTALLATION	€/m2	on request

INDIVIDUAL VALUATION FOR BASIC AND ADVANCED DESIGN

INDIVIDUAL VALUATION FOR PACKING AND SHIPPING

PRICES EX WORKS, DO NOT INCLUDE TAXES

OMNIA SYSTEM

Designed by architect Zbigniew Szponar. Manufacturing by TechnotronMetal & metalDomus

OMNIA TWIST&LOCK (OTL)

FRAME system

Design // architect Zbigniew Szponar. Manufacturing // metalDomus&Technotron metal

CEILING SOLUTION

	PARTS	MATERIAL/SIZE	PRICE ON REQUEST
1.	 GRID INDIRECT ODNP	1,0 mm x H-35 mm x 43 mm GALVANIZED STEEL L- 6 000,0 mm GALVANIZED STEEL L - 1 000,0mm PAINTED RAL L-1 000,0 mm	
2.	 GRID EDGE ODNB	1,0 mm x H-35 mm x 43 mm GALVANIZED STEEL L- 6 000,0 mm GALVANIZED STEEL L-1 000,0 mm PAINTED RAL L-1 000,0 mm	
3.	 GRID HANGER FOR A THREADED ROD fi6 OZD	INOX STEEL gr. 1,0 mm PAINTED RAL	
4.	 ROD fi 6 mm OPM	GALVANIZED STEEL L-2 000mm GALVANIZED STEEL L-1 000mm GALVANIZED STEEL L-0 600mm PAINTED RAL L-0 600 mm	
5.	 DOWEL OKRM	OKRM M6 OKRM M8 OKRM M10 OKRM M12	
6.	 CUBE OKM	GALVANIZED STEEL 15 x 15 x 15 mm	
7.	 CLAMP OZM	INOX STEEL 1,5 mm PAINTED RAL	
8.	 INSTALLATION SCREW OSM	M- 6 IMBUS x 18 mm GALVANIZED OR BLACK	
9.	 PANEL FRAME	1 000,0 x 1 000,0 mm 1,5 mm H- 38 mm GALVANIZED STEEL ALUMINIUM	
10.	 MESH TRANSFORMATION IN OMNIA PANEL 1 000,0 mm x 1 000,0 mm	1 000,0 x 1 000,0 mm	
11.	 POWDER COATING METAL PANEL WITH METAL MESH 1 000,0 mm x 1 000,0 mm	RANDOM RAL COLOR GALVANIZED GALVANIZED ANODIZING COLOUR GALVANIZED ANODIZING	

EXAMPLE PRICE FOR THE WHOLE SYSTEM WITH INSTALLATION, WITHOUT MESH

WITHOUT COATING	€/m2	on request
RANDOM RAL COLOR	€/m2	on request
GALVANIZED	€/m2	on request
GALVANIZED ANODIZING	€/m2	on request
COLOUR GALVANIZED ANODIZING	€/m2	on request
INSTALLATION	€/m2	on request

INDIVIDUAL VALUATION FOR BASIC AND ADVANCED DESIGN

INDIVIDUAL VALUATION FOR PACKING AND SHIPPING

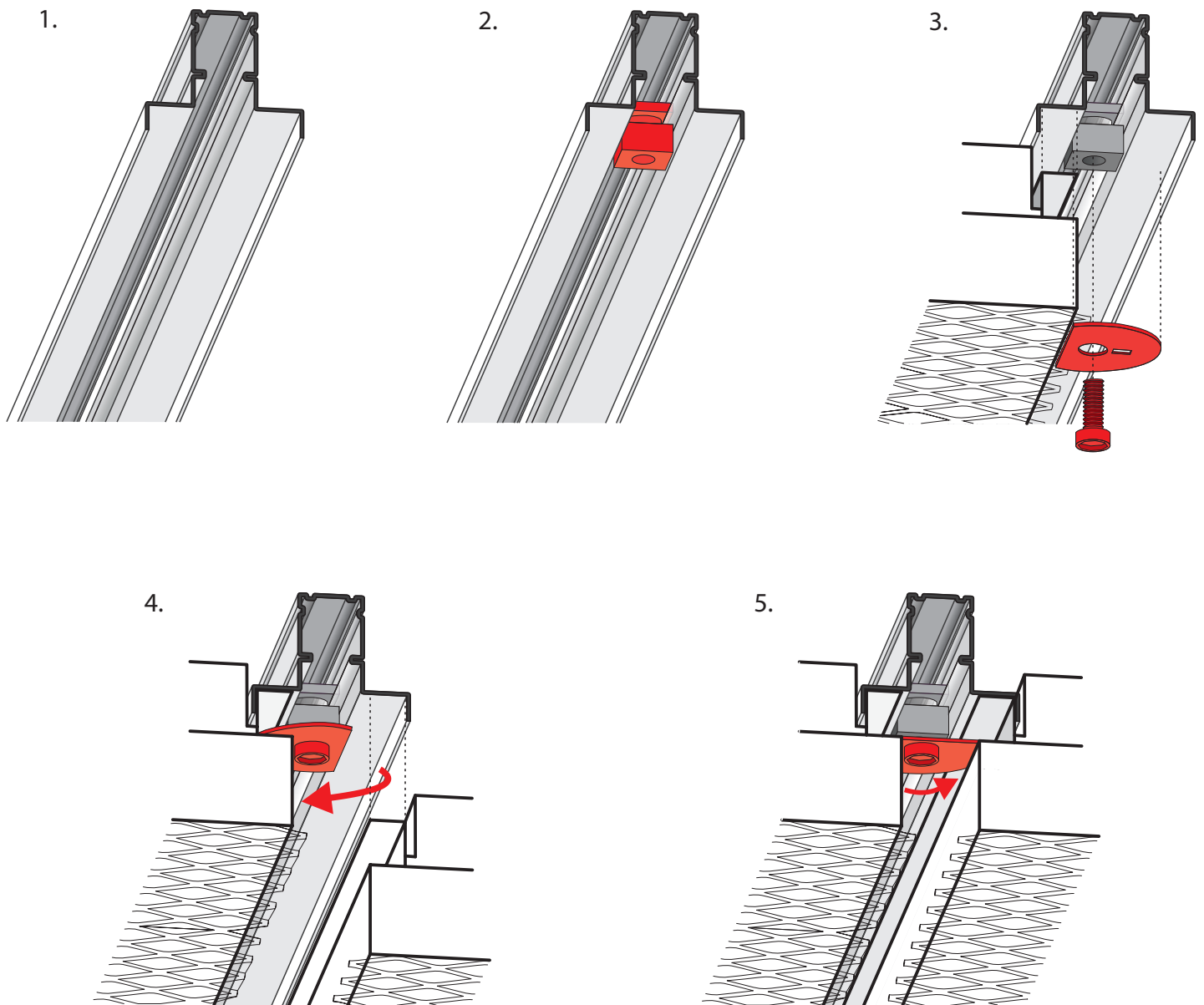
PRICES EX WORKS, DO NOT INCLUDE TAXES

OMNIA SYSTEM

Designed by architect Zbigniew Szponar. Manufacturing by TechnotronMetal & metalDomus

OMNIA TWIST & LOCK (TL)

CEILING SOLUTION FOR EXPANDED METAL AND PANEL



Omnia TL system is innovative ceiling solution, designed specifically for expanded mesh ceilings, but it can also be used for perforated and panel ceilings. Every part of the system is designed to provide the highest flexibility and easy installation. It all starts with the Omnia girder installation (1.). Then the WZ slings are slid in (2.). Metal Panels are installed to the Omnia girder by WL hooks.

The most important difference between Omnia TL and any other system is easier way to not only install the panels, but also to remove them for conservation work. Our system is protected against selffalling, or unauthorized deinstallation by the special WL hook.

OMNIA SYSTEM

Designed by architect **Zbigniew Szponar**. Manufacturing by **TechnotronMetal** & **metalDomus**

THE INTERNATIONAL CONFERENCE CENTER IN KATOWICE



OMNIA SYSTEM

Designed by architect **Zbigniew Szponar**. Manufacturing by **TechnotronMetal & metalDomus**

PRODUCTION

THE INTERNATIONAL CONFERENCE CENTER IN KATOWICE



OMNIA SYSTEM

Designed by architect **Zbigniew Szponar**. Manufacturing by **TechnotronMetal & metalDomus**